



SPECIFICATIONS & TECHNICAL DETAILS OF AVR SPS-3810

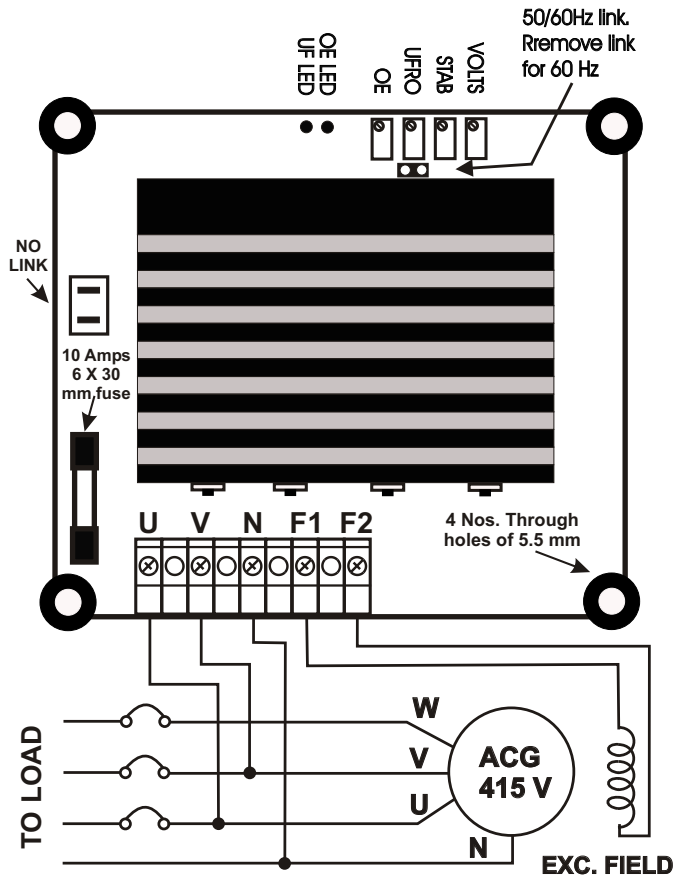
SUITABLE FOR 3 PH. SLIPRING (BRUSH) TYPE ALTERNATORS

info@spsindia.biz

WARNING: To prevent personal Injury or equipment damage only qualified technician / operator should install, operate or service this device

CAUTION: While using meager & high potential equipment, disconnect all connections of AVR. Incorrect use of such equipments could damage components of AVR

CONNECTION DIAGRAM OF AVR TO 3 PHASE + N 415 V FOUR WIRE ALTERNATOR



VOLTS:

Rotate these pot clockwise to increase AC terminal voltage and anticlockwise to decrease AC terminal voltage

STAB:

If there is AC terminal voltage hunting than slowly rotate STAB pot anticlockwise to stabilize the voltage Do not excessively rotate anticlockwise other wise response time will increase resulting larger dip in terminal voltage during sudden load. Excessively rotating the STAB pot in clockwise direction will result in voltage hunting. **(It is advisable that only technically qualified person should adjust these pot.)**

UFRO:

It is not required to adjust these pot as it is factory set at 47 Hz. If it is required to adjust than by rotating the pot to clockwise will increase UFRO level above 47 Hz and rotating anticlockwise will decrease UFRO level below 47 Hz. UFRO activation is indicated by UFRO LED.

OE:

Over excitation set potentiometer is factory set to maximum clockwise at 380 V DC. If it is required to cut off excitation current below 150 V then connect DC volt meter in between F1.& F2. Load the alternator such that required DC voltage is noted on DC volt meter. Now rotate O/E pot anticlockwise till OE LED is just ON. Once LED is turned ON the internal timer will be activated and will cut off excitation Power after 20 seconds..

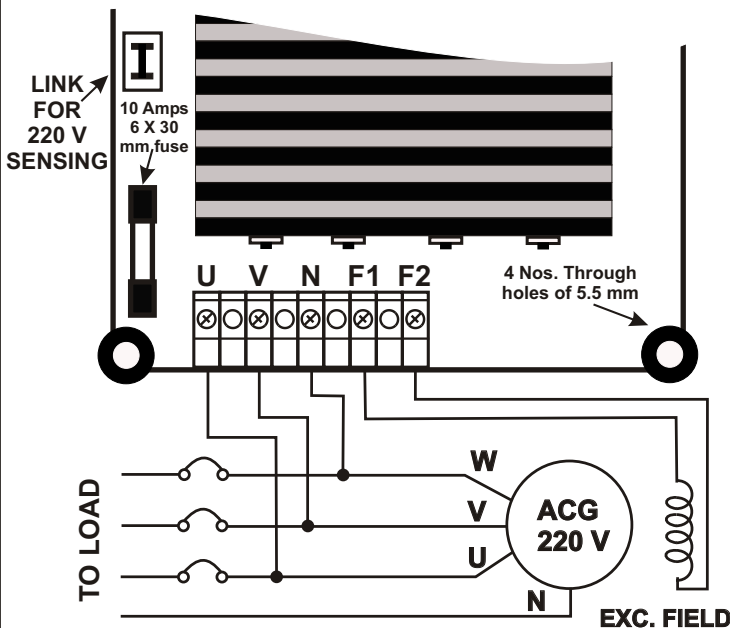
50 / 60 Hz:

Remove Link for 60 Hz Operation

220 V Sensing:

If Alternator output voltage is 220 V AC than a shot link is to be connected in as shown in schematic diagram. Please note that for 220 V input will be 3 Phase 220 V as shown in diagram

CONNECTION DIAGRAM OF AVR TO 3 PHASE 220 V ALTERNATOR



SPECIFICATIONS:

| | |
|---|---|
| INPUT VOLTAGE | 2 PHASE + NEUTRAL |
| SENSING VOLTAGE | 415 V AC OR 220 V |
| OUTPUT EXCI. VOLTAGE | 380 V DC @415V & 200V @ 220V |
| OUTPUT EXCI. CURRENT | 10 A DC. (15 A DC FOR 15 - SECONDS) |
| INPUT FREQUENCY | 50 / 60 Hz (Remove link for 60 Hz) |
| RESIDUAL BUILD UP | 5 V AC AT 50 Hz. |
| VOLTAGE REGULATION | + / - 1 % |
| UNDER FREQUENCY (UFRO / UF LED) | FACTORY SETTING 47 Hz, ADJUSTABLE POT. INDICATION BY UFI - LED |
| OVER EXCITATION CURRENT TRIP (O/E) (Please rotate OE pot in anti-clockwise direction to set excitation current tripping level below 380 V DC) | 25 SECONDS DELAY TIMER. ADJUSTABLE POT RANGE 0 - 380 V DC. INDICATION BY OE - LED |
| OPERATING TEMPERATURE | -40 TO +70° C |
| STORAGE TEMPERATURE | -55 TO +80° C |
| RELATIVE HUMIDITY | 0 TO +70° C : 95 % |
| FUSE (FAST ACTING) | 10 AMPS (SIZE: 6 X 30 mm) |
| DIMENSIONS (L X B X H) | 126 X 112 X 42 mm |
| WEIGHT | 410 gms |

NOTE: Continuous development of our products entitles us to change specifications & other details without notice. Please contact factory for latest information (info@spsindia.biz)